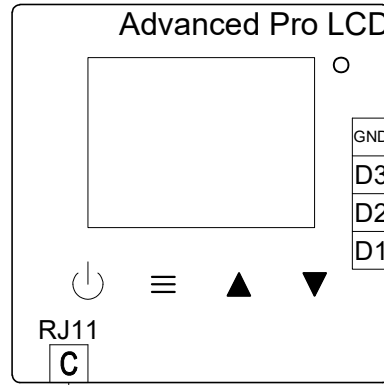




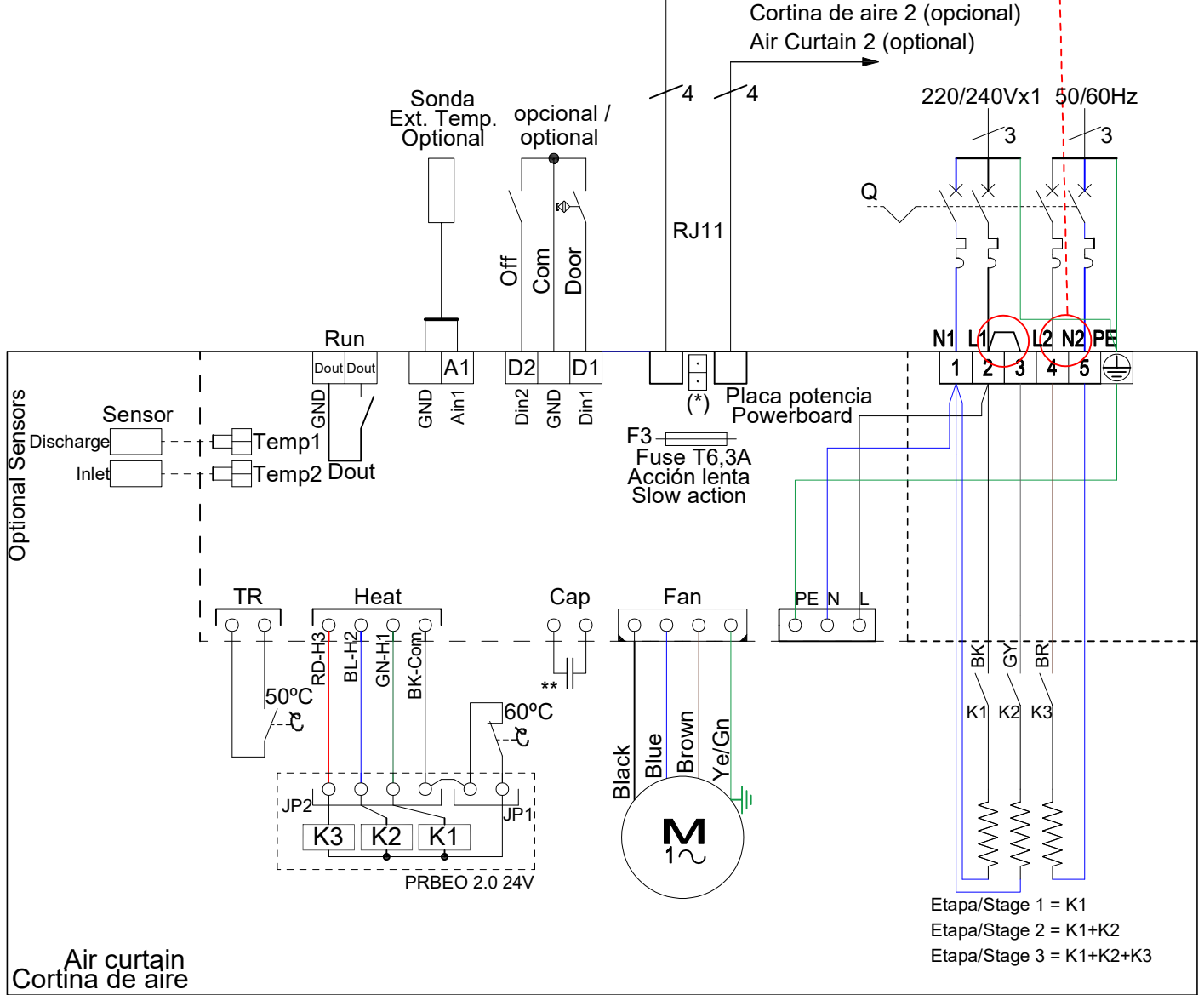
Control remoto
Remote control

| Control Optional inputs / Entradas Opcionales del Control | |
|---|---------------------------------------|
| Control | Closed / Cerrado = |
| D1 Off | = Curtain Off / Cortina Parada |
| D2 Heat off D2 Apagar Calefacción | = Heating Off / Calefacción Parada |
| D3 Fire Alarm D3 Alarma incendio | = Forced Off / Apagado Forzado |

| PCB Optional inputs / Entradas Opcionales de la PCB | |
|---|---|
| PCB | Closed / Cerrado = |
| Din1 Door | = Closed door / Puerta Cerrada |
| Din2 Off | = Curtain Off / Cortina Parada |
| TR Overheating TR Sobrecalentamiento | = Overheating On / Sobrecalentamiento Activado |



Cortina de aire de 9kW; para 6kW no conectar L2-N2; para 3kW no conectar L2-N2 y retirar el puente 2-3. Se puede limitar en el control
9kW Air Curtain; for 6kW don't connect L2-N2; for 3kW don't connect L2-N2 and remove jumper 2-3. It can be limited from the control



* When multiple air curtains are connected to an only control, the last one must incorporate a Jumper in "END LINE" pins.
 **OPT1000 50/60Hz=1Fan; 2,5 µF
 **OPT1500 50Hz=1Fan; 3 µF
 **OPT1500 60Hz=1Fan; 2,5 µF