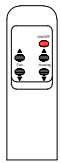
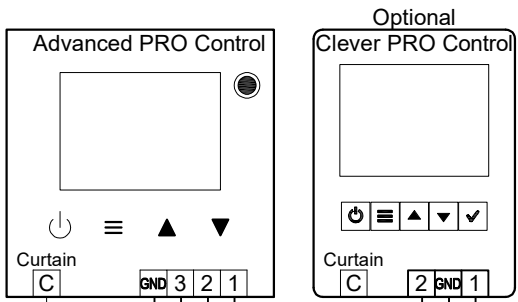
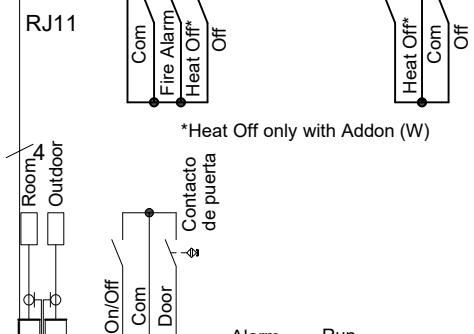


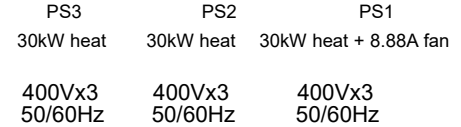
U1	marrón /brown
U2	azul /blue
Z1	negro/black
Z2	naranja/orange
TB	blanco/white
PE	amarillo-verde /yellow-green



Control remoto
Remote control
Only Advanced
PRO control

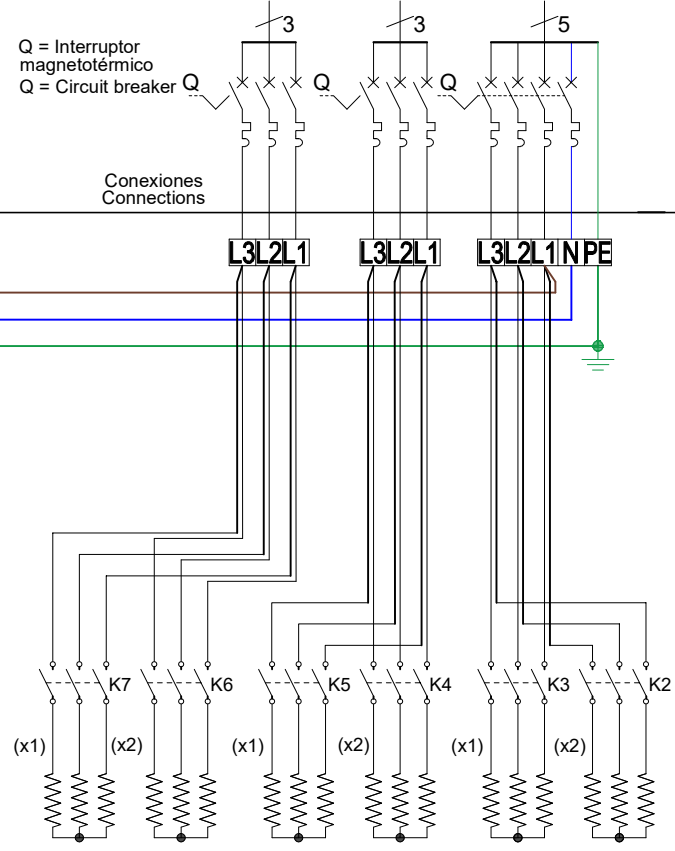
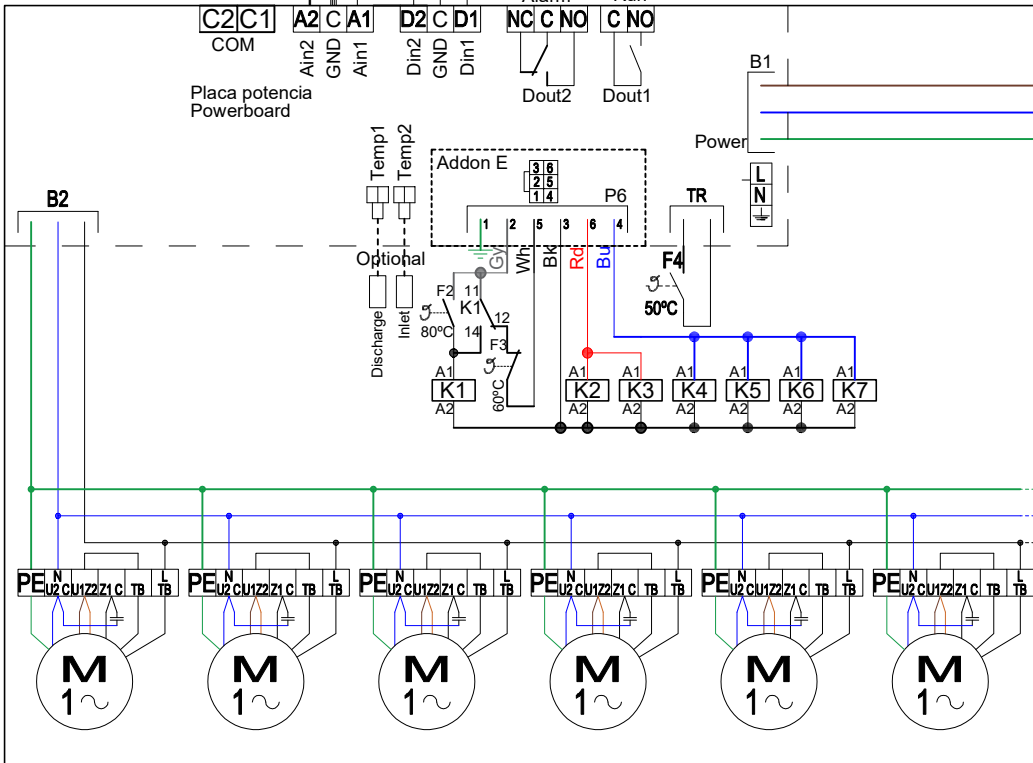
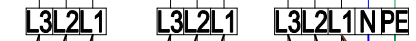


*Heat Off only with Addon (W)



Q = Interruptor magnetotérmico
Q = Circuit breaker

Conexiones
Connections



Etapa/Stage 2
Etapa/Stage 1
Etapa/Stage 3 = Etapa/Stage 1 + Etapa/Stage 2

Cortina de aire
Air Curtain